

Power Rated Raceway Fittings and Junction Boxes

TSRP - Tee Covers

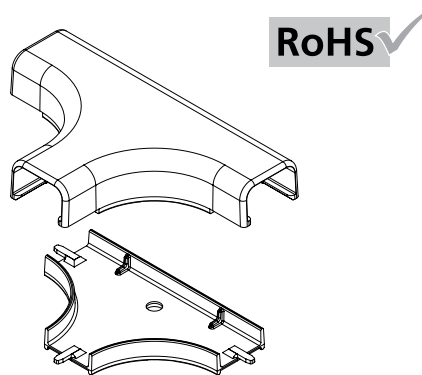
HellermannTyton surface raceway systems are the ideal solution for routing communication and power cables. No need to break into existing walls - raceway systems are designed to route cable along wall surfaces. Made of a PVC material, components are durable and affordable; and the one piece construction and adhesive tape backing make positioning and mounting easy. HellermannTyton offers a low voltage TSR system and a power rated TSRP system that are available in three different diameters to accommodate different cable and wire bundle and conduit sizes. Both systems include a complete line of fittings and junction boxes that allow for clean and professional installations. TSRP surface raceway systems are designed to aesthetically organize and route either power or communications cables.

Features and Benefits

- Tamper resistant covers with hidden latch provide security while allowing quick entry for cable maintenance.
- PVC construction is lightweight, durable and more affordable than metallic raceway systems.
- Flexible hinge designed to reduce stress cracking and discoloration from repeated opening and closing.
- Systems and fittings are available in white, office white and ivory to coordinate with a variety of décor.
- Fittings incorporate a minimum 1" bend radius to meet TIA/EIA 568-B and 569-A standards.
- TSRP power rated surface raceway systems have an enhanced "channel and lug" mating design that provides a tighter, more secure fit between raceway lengths and fittings, enabling the system to be UL Listed for power up to 600 volts and meet UL5A and CSA 22.2.



MATERIAL	Polyvinylchloride (PVC)
Flammability	UL 94 V0
Operating Temperature	+122°F (+50°C)



PART NO.	TYPE	Description	Color	Pkg. Qty.
TSRP1I-21-1*	TSRP1-21-1	Tee Cover, 3/4"	Ivory	1
TSRP1FW-21-1*		Tee Cover, 3/4"	Office White	1
TSRP1W-21-1*		Tee Cover, 3/4"	White	1
TSRP2I-21-1*	TSRP2-21-1	Tee Cover, 1-1/4"	Ivory	1
TSRP2FW-21-1*		Tee Cover, 1-1/4"	Office White	1
TSRP2W-21-1*		Tee Cover, 1-1/4"	White	1
TSRP3I-21-1*	TSRP3-21-1	Tee Cover, 1-3/4"	Ivory	1
TSRP3FW-21-1*		Tee Cover, 1-3/4"	Office White	1
TSRP3W-21-1*		Tee Cover, 1-3/4"	White	1

Dimensions are approximate and subject to technical changes. Use Part No. for ordering and Type for specification purposes.
 *This product meets UL standards. Please see appendix for specific file numbers.



Please note! Not all products listed on this page may have this approval. Please check our website for latest approvals.